



# INTERPUMP GROUP

66


<b>I GB F</b>	<b>ISTRUZIONI D'USO INSTRUCTIONS FOR USE MODE D'EMPLOI</b>	<b>D E P</b>	<b>BEDIENUNGSANLEITUNG INSTRUCCIONES DE USO INSTRUÇÕES DE USO</b>
-----------------------	--	----------------------	---

**S  
E  
R  
I  
E  
S**



**Questo manuale deve essere letto e compreso in accordo al libretto generico "Istruzioni d'uso e manutenzione".**  
**This manual must be read and followed in accordance with the generic "Instructions for Use and Maintenance" booklet.**  
**Ce manuel doit être lu et compris en accord avec la notice générale " Mode d'emploi et d'entretien ".**  
**Dieses Handbuch ist in Verbindung mit dem allgemeinen Handbuch " Gebrauchs- und Wartungsanleitung" zu lesen und zu verstehen.**  
**Este manual debe leerse y comprenderse de acuerdo con el manual general "Instrucciones de uso y mantenimiento"**  
**Este manual deve ser lido e interpretado de acordo com o livro genérico "Instruções de uso e manutenção"**

Type Type Type Tipo	Flow rate Débit Förderstrom Caudal Portata		Pressure Pressione Druck Presion Pressione			rpm t/m upm r/m g/m	Power Puissance Leistung Potencia Potenza		Weight Poids Gewicht Peso Massa		
	l/min	gpm	bar	MPa	psi		Hp	kW	Kg	Ibs	
W4015 (*)	15	3.96	400	40	5800	1450	15.0	11.02	19.5	42,9	1.0
W5015 (*)	15	3.96	500	50	7250	1450	20.0	14.70	19.5	42.9	1.0
W3018	17.6	4.64	300	30	4350	1450	14.0	10.43	18.5	40.7	1.0
W4018	18	4.75	400	40	5800	1450	20.0	14.70	19.5	42,9	1.0
W4518	18	4.75	450	45	6525	1450	21.0	15.44	19.5	42,9	1.0
W5018	18	4.75	500	50	7250	1450	24.0	17.40	19.5	42.9	1.0
W3021 (*)	21	5.54	300	30	4350	1450	16.0	11.76	18.5	40.7	1.0
W3521 (*)	21	5.55	350	35	5075	1450	20.0	14.70	19.5	42.9	1.0
W4021 (*)	21	5.55	400	40	5800	1450	22.0	16.17	19.5	42.9	1.0
WK5021	21	5.55	500	50	7250	1450	28.0	20.59	21.5	46.2	1.0
W3523	23	6.07	350	35	5075	1450	20.0	14.70	19.5	42.9	1.0
W2525 (*)	25	6.60	250	25	3600	1450	18.0	13.23	18.5	40.7	1.0
W3025 (*)	25	6.60	300	30	4350	1450	20.0	14.70	18.5	40.7	1.0
W2030 (*)	30	7.92	200	20	2900	1450	15.0	11.02	18.5	40.7	1.0
W2035	35	9.25	200	20	2900	1450	18.0	13.23	18.5	40.7	1.0
W2141	41	10.83	210	21	3045	1450	22.0	16.17	18.5	40.7	1.0
W1550 (*)	50	13.20	150	15	2175	1450	20.0	14.70	18.5	40.7	1.0
W1555	55	14.50	150	15	2175	1450	22.0	16.17	18.5	40.7	1.0

Type Type Type Tipo Tipo	Flow rate Débit Förderstrom Caudal Portata		Pressure Pressione Druck Presion Pressione			rpm t/m upm r/m g/m	Power Puissance Leistung Potencia Potenza		Weight Poids Gewicht Peso Massa		
	l/min	gpm	bar	MPa	psi		Hp	kW	Kg	Ibs	
W1570	70	18.50	150	15	2175	1450	27.0	19.85	22.3	49.2	1.0
WG1570	70	18.50	150	15	2175	1450	27.0	19.85	21.7	47.8	1.0
T5015	15	3.96	500	50	7250	1750	19.5	14.54	19.5	42.9	1.0
T4018 (*)	18	4.75	400	40	5800	1750	20.0	14.70	19.5	42,9	1.0
T5018 (*)	18	4.75	500	50	7250	1750	24.0	17.64	19.5	42.9	1.0
T3021	21	5.55	300	30	4350	1750	16.5	12.30	18.5	40.7	1.0
T3025 (*)	25	6.60	300	30	4350	1750	20.0	14.70	18.5	40,7	1.0
T2530 (*)	30	7.92	250	25	3600	1750	20.0	14.70	18.5	40,7	1.0
T2830 (*)	30	7.92	275	27.5	4000	1750	21.0	15.44	18.5	40,7	1.0
T2535	35	9.25	250	25	3600	1750	22.0	16.17	18.5	40,7	1.0
T2040	40	10.56	200	20	2900	1750	21.0	15.44	18.5	40,7	1.0
T1750	50	13.20	172	17.2	2500	1750	22.0	16.17	18.5	40,7	1.0

(\*) - DISPONIBILE ANCHE CON DOPPIA PRESA DI FORZA

(\*) - DISPONIBLE MÊME AVEC DOUBLE PRISE DE FORCE

(\*) - DISPONIBLE TAMBIÉN CON EL DOBLE TOMADO DE FUERZA

(\*) - AVAILABLE ALSO WITH DOUBLE POWER TAKE OFF

(\*) - VORHANDEN AUCH MIT DEM DOPPELTEN GENOMMEN VON DER KRAFT

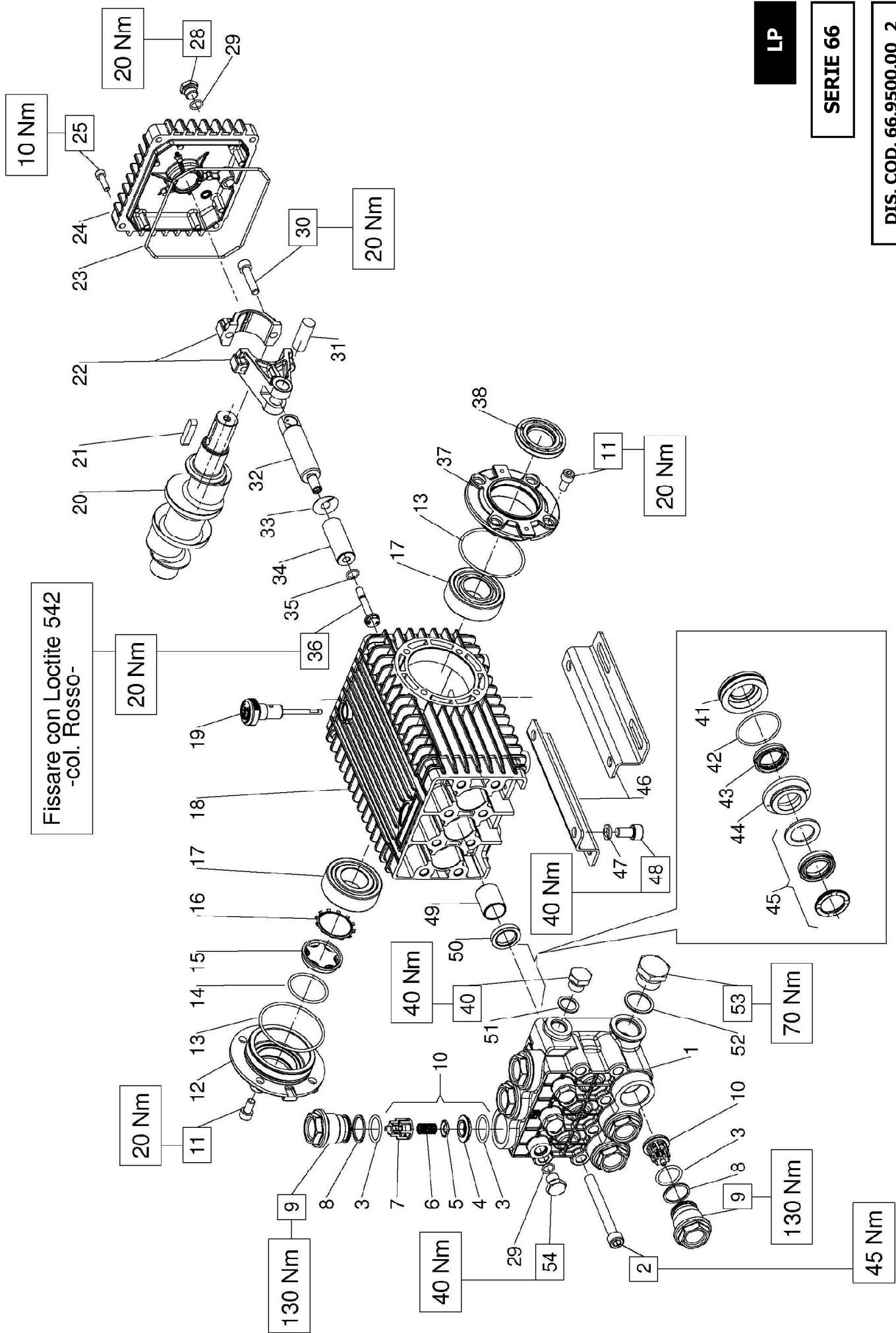
(\*) - DISPONÍVEL TAMBÉM COM O DOBRO FEITO EXAME DA FORÇA



LP

SERIE 66

DIS. COD. 66.9500.00\_2



**W3021 W2525 W3025 W2030 W2035 W2141  
T3025 T2530 T2830 T2535 T2040 T1750 W3018  
T3021**

**KIT RICAMBI - SPARE KITS**

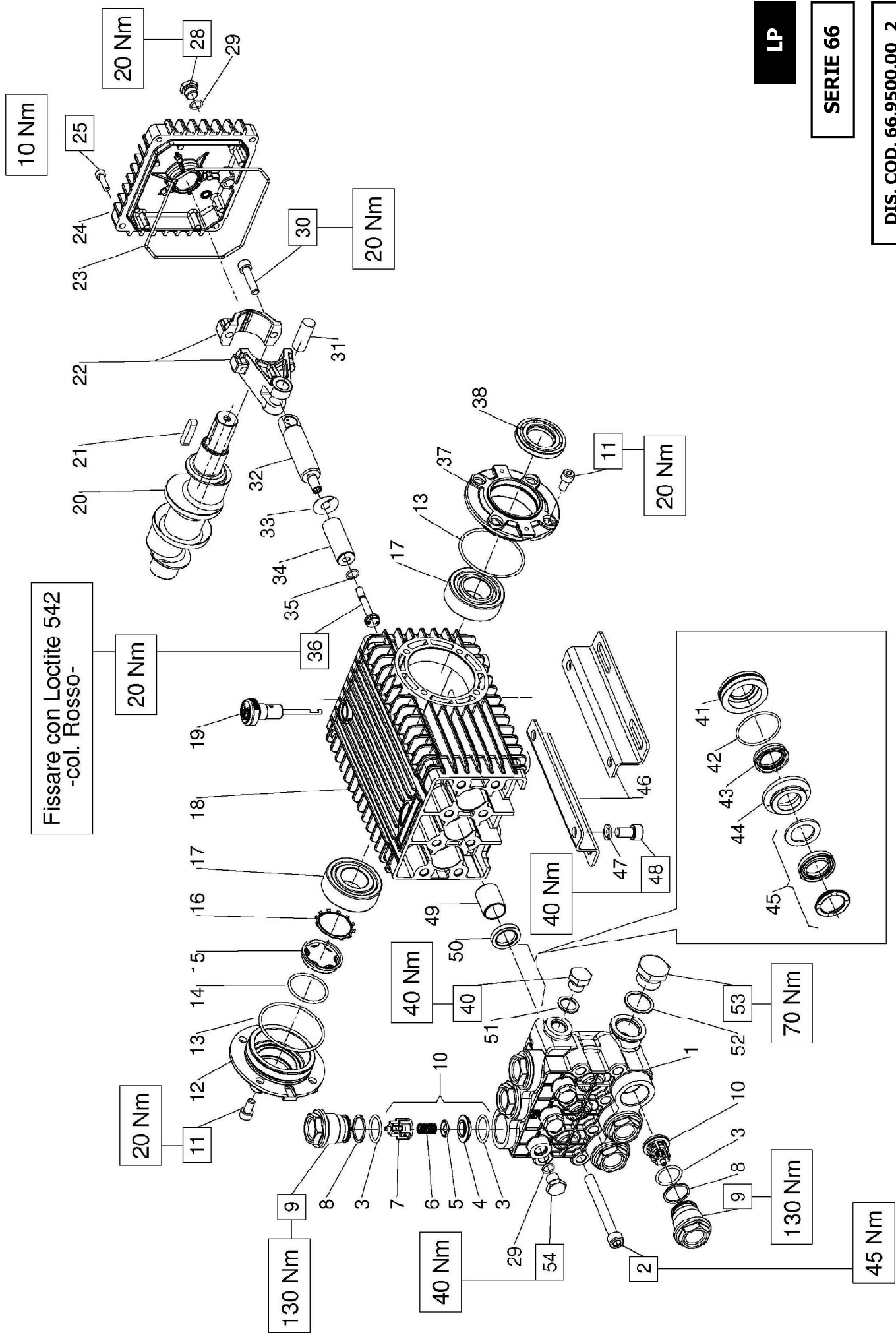
KIT Nr.	KIT 2	KIT 3	KIT 169	PISTONE - PISTON D. 18		PISTONE - PISTON D. 20		PISTONE - PISTON D. 22		KIT 182
				KIT 180	KIT 176	KIT 170	KIT 171	KIT 172	KIT 173	
Posizioni include positions included	50	38	3-4 5-6 7 (10)	43-45	41-42 43-44 45	43-45	41-42 43-44 45	43-45	41-42 43-44 45	43-45
Nr. Pcs.	3	2	6	3	1	3	1	3	1	3

PISTONE - PISTON D. 18	PISTONE - PISTON D. 20
W3021 T3025 W3018 T3021	W2525 W3025 T2530 T2535 T2830
<b>PISTONE - PISTON D. 22</b>	<b>PISTONE - PISTON D. 24</b>
W2030 W2035 T2040	W2141 T1750

POS	COD.	DESCRIZIONE - DESCRIPTION - KIT	NR
20	66.0200.35	Albero ecc. C.19 - W2525 W2030 W3021 W3025 T2530 T3025 T2830	1
	66.0204.35	Albero ecc. C.21 - W2035 W2141 T2535 T2040 T1750	
	66.0211.35	Albero ecc. C.16 - W3018 T3021	
21	91.4892.00	Linguetta 9.0x7.0x35.0	1
22	66.0300.01	Biella completa	3
23	90.3922.00	OR D. 133.02x2.62 NBR 70SH 3525	1
24	66.1600.22	Coperchio posteriore	1
25	99.1884.00	Vite M6x20 UNI 5931	4
28	98.2042.50	Tappo G 1/4"x9 TEI7 - ZInc.	1
29	90.3585.00	OR D. 10.82x1.78 NBR 705H 2043	4
30	99.3099.00	Vite serraggio biella	6
31	97.7405.00	Spinotto D. 1.4x39	3
32	66.0500.66	Guida pistone	3
33	96.7101.00	Rosetta D. 10.0x28.0x0.5	3
34	66.0403.09	Pistone D. 18x54	3
	66.0400.09	Pistone D. 20x54	
	66.0401.09	Pistone D. 22x54	
	66.0404.09	Pistone D. 24x54	
35	90.3584.00	OR D. 10.82x1.78 NBR 90SH 2043	3
36	66.2195.66	Vite fissaggio pistone	3
37	47.1510.22	Coperchio laterale lato PTO	1
38	90.1648.00	Anello rad. D. 30.0x55.0x7.0	3
40	98.2100.00	Tappo G 3/8"x13	1
41	66.0803.70	Anello di fondo D. 18	176
	66.0800.70	Anello di fondo D. 20	171
	66.0801.70	Anello di fondo D. 22	173
	66.0804.70	Anello di fondo D. 24	182
42	90.3616.00	OR D. 34.65x1.78 NBR 70SH 2137 171 173 176 182	3

POS	COD.	DESCRIZIONE - DESCRIPTION - KIT	NR
1	66.1245.41	Testata pompa D. 18	1
	66.1200.41	Testata pompa D. 20	
	66.1201.41	Testata pompa D. 22	
	66.1202.41	Testata pompa D. 24	
2	99.3801.00	Vite M10x90 UNI 5931	8
3	90.3857.00	OR D. 23.81x2.62 NBR 70SH 132 169	12
4	36.2033.66	Sede valvola sferica	169
5	36.2034.76	Valvola sferica	169
6	94.7388.00	Molla Dm. 10.0x18.5	6
7	36.2035.51	Guida valvola	169
8	90.5165.00	Anello antiest. D. 24.7x29.0x1.5	6
9	66.1300.41	Tappo M32x1.5x29.5	6
10	36.7127.01	Gr. valvola aspiraz./mandata	169
11	99.3039.00	Vite M8x16 UNI 5931	8
12	47.1512.22	Coperchio laterale lato spia	1
13	90.3913.00	OR D. 67.95x2.62 NBR 70SH 3268	2
14	90.3877.00	OR D. 39.34x2.62 NBR 70SH 3156	1
15	70.2118.01	Spia livello olio	1
16	90.0756.00	Anello d'arresto Z145	1
17	91.8380.00	Cuscinetto a rulli	2
18	66.0100.22	Carter pompa	1
19	98.2106.00	Tappo con asta G 3/8"x64	1

POS	COD.	DESCRIZIONE - DESCRIPTION - KIT	NR
43	90.2652.00	Anello tenuta D. 18x26x6.5 LP 180 176	3
	90.2690.00	Anello tenuta D. 20x28x6.5 LP 170 171	
	90.2715.00	Anello tenuta D. 22x30x6.5 LP 172 173	
	90.2738.00	Anello tenuta D. 24x32x6.5 LP 181 182	
44	66.2163.70	Anello intermedio D. 18	176
	66.2160.70	Anello intermedio D. 20	171
	66.2161.70	Anello intermedio D. 22	173
	66.2164.70	Anello intermedio D. 24	182
45	90.2655.00	Anello tenuta D. 18x28x10 HP 180 176	3
	90.2692.00	Anello tenuta D. 20x30x10 HP 170 171	
	90.2717.00	Anello tenuta D. 22x32x10 HP 172 173	
	90.2741.00	Anello tenuta D. 24x34x10 HP 181 182	
46	47.2000.74	Piede pompa	2
47	96.7106.00	Rosetta D. 10.2x16.0x2.5	4
48	99.3644.00	Vite M10x18 UNI 5931	4
49	90.9126.00	Boccola D. 22x25x30	3
50	90.1625.00	Anello rad. D. 22.0x32.0x5.5	2
51	96.7380.00	Rosetta D. 17.5x23.0x1.5	1
52	96.7700.00	Rosetta D. 26.5x32.0x1.5	1
53	98.2268.00	Tappo G 3/4"x16	1
54	98.2043.00	Tappo G 1/4"x13	3



**LP**

**SERIE 66**

**DIS. COD. 66.9500.00\_2**

KIT RICAMBI - SPARE KITS

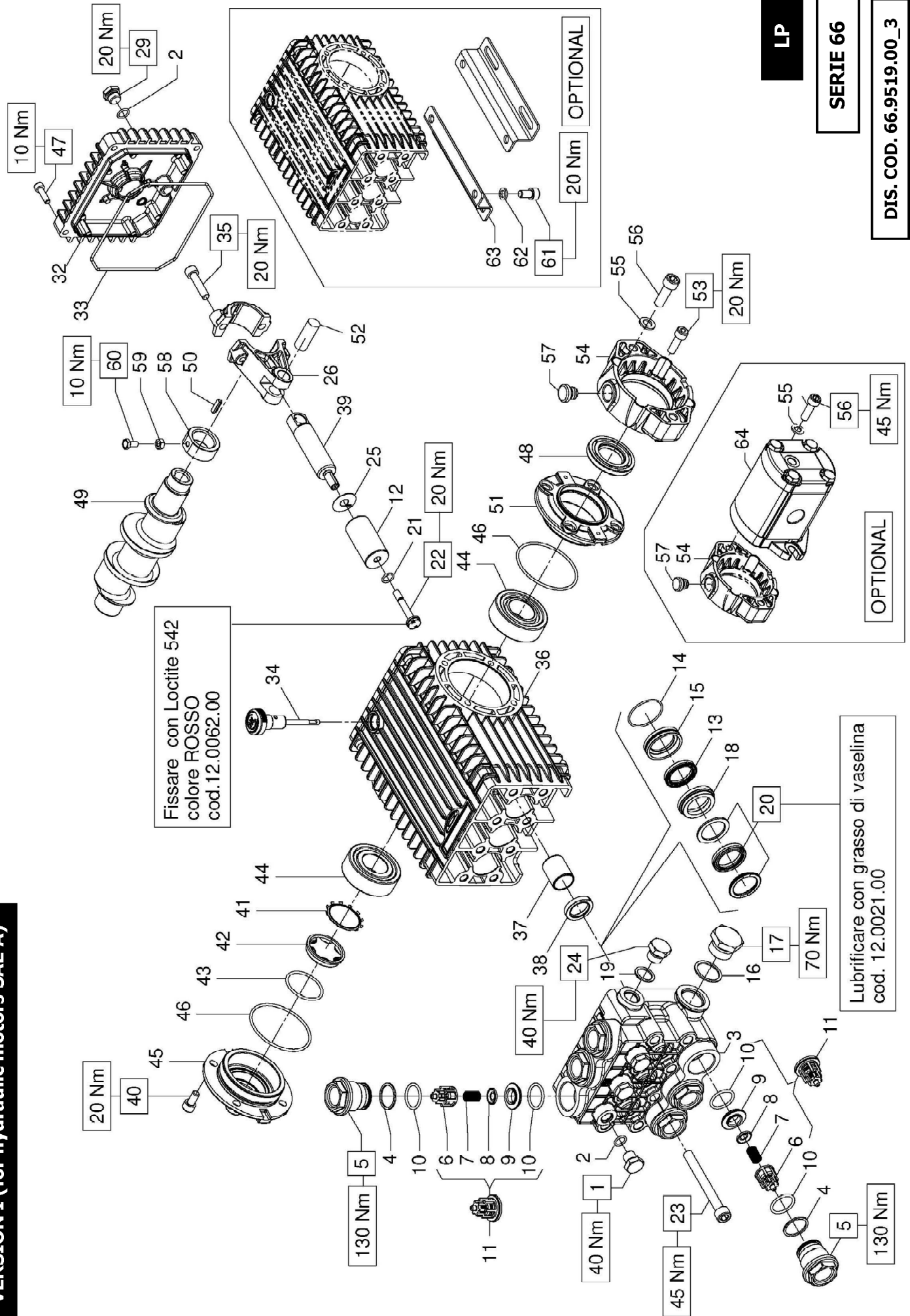
KIT Nr.	KIT 2	KIT 3	KIT 169	KIT 248	KIT 247
Posizioni Include Positions included	50	38	3 - 4 5 - 6 7 (10)	43 - 45	41 - 42 43 - 44 45
Nr. Pcs.	3	2	6	3	1

W1550

POS	COD.	DESCRIZIONE - DESCRIPTION - KIT	NR
31	97.7405.00	Spinotto D. 14x39	3
32	66.0500.66	Guida pistone	3
33	96.7101.00	Rosetta D. 10.0x28.0x0.5	3
34	66.0410.09	Pistone D. 28x54	3
35	90.3584.00	OR D. 10.82x1.78 NBR 90SH 2043	3
36	66.2195.66	Vite fissaggio pistone	3
37	47.1510.22	Coperchio laterale lato PTO	1
38	90.1648.00	Anello rad. D. 30.0x55.0x7.0	3
40	98.2100.00	Tappo G 3/8"x13	1
41	66.0825.70	Anello di fondo D. 28	247
42	90.3620.00	OR D. 37.82x1.78 NBR 70SH 2150	247
43	90.2753.00	Anello tenuta D. 28x36x6.5 LP	247 248
44	66.2200.70	Anello intermedio D. 28	247
45	90.2754.00	Anello tenuta D. 28x38x10 HP	247 248
46	47.2000.74	Piede pompa	2
47	96.7106.00	Rosetta D. 10.2x16.02.5	4
48	99.3644.00	Vite M10x18 UNI 5931	4
49	90.9126.00	Boccola D. 22x25x30	3
50	90.1625.00	Anello rad. D. 22.0x32.0x5.5	2
51	96.7380.00	Rosetta D. 17.5x23.0x1.5	1
52	96.7700.00	Rosetta D. 26.5x32.0x1.5	1
53	98.2268.00	Tappo G 3/4"x16	1
54	98.2043.00	Tappo G 1/4"x13	3

POS	COD.	DESCRIZIONE - DESCRIPTION - KIT	NR
1	66.1246.41	Testata pompa D. 28	1
2	99.3801.00	Vite M10x90 UNI 5931	8
3	90.3857.00	OR D. 23.81x2.62 NBR 70SH 132	169 12
4	36.2033.66	Sede valvola	169 6
5	36.2034.76	Valvola sferica	169 6
6	94.7388.00	Molla Dm. 10.0x18.5	169 6
7	36.2035.51	Guida valvola	169 6
8	90.5165.00	Anello antiest. D. 24.7x29.0x1.5	169 6
9	66.1300.41	Tappo M32x1.5x29.5	169 6
10	36.7127.01	Gr. valvola aspiraz./mandata	169 6
11	99.3039.00	Vite M8x16 UNI 5931	8
12	47.1512.22	Coperchio laterale lato spia	1
13	90.3913.00	OR D. 67.95x2.62 NBR 70SH 3268	2
14	90.3877.00	OR D. 39.34x2.62 NBR 70SH 3156	1
15	70.2118.01	Spia livello olio	1
16	90.0756.00	Anello d'arresto ZJ45	1
17	91.8380.00	Cuscinetto a rulli	2
18	66.0100.22	Carter pompa	1
19	98.2106.00	Tappo con asta G 3/8"x64	1
20	66.0200.35	Albero ecc. C.19	1
21	91.4892.00	Linguetta 9.0x7.0x35.0	1
22	66.0300.01	Biella completa	3
23	90.3922.00	OR D. 133.02x2.62 NBR 70SH 3525	1
24	66.1600.22	Coperchio posteriore	1
25	99.1884.00	Vite M6x20 UNI 5931	4
28	98.2042.50	Tappo G 1/4"x9 TE17 - Zinc.	1
29	90.3585.00	OR D. 10.82x1.78 NBR 70SH 2043	4
30	99.3099.00	Vite serraggio biella	6

**VERSION I (for hydraulic motors SAE A)**



**KIT RICAMBI - SPARE KITS**

<b>W1550</b>	
--------------	--

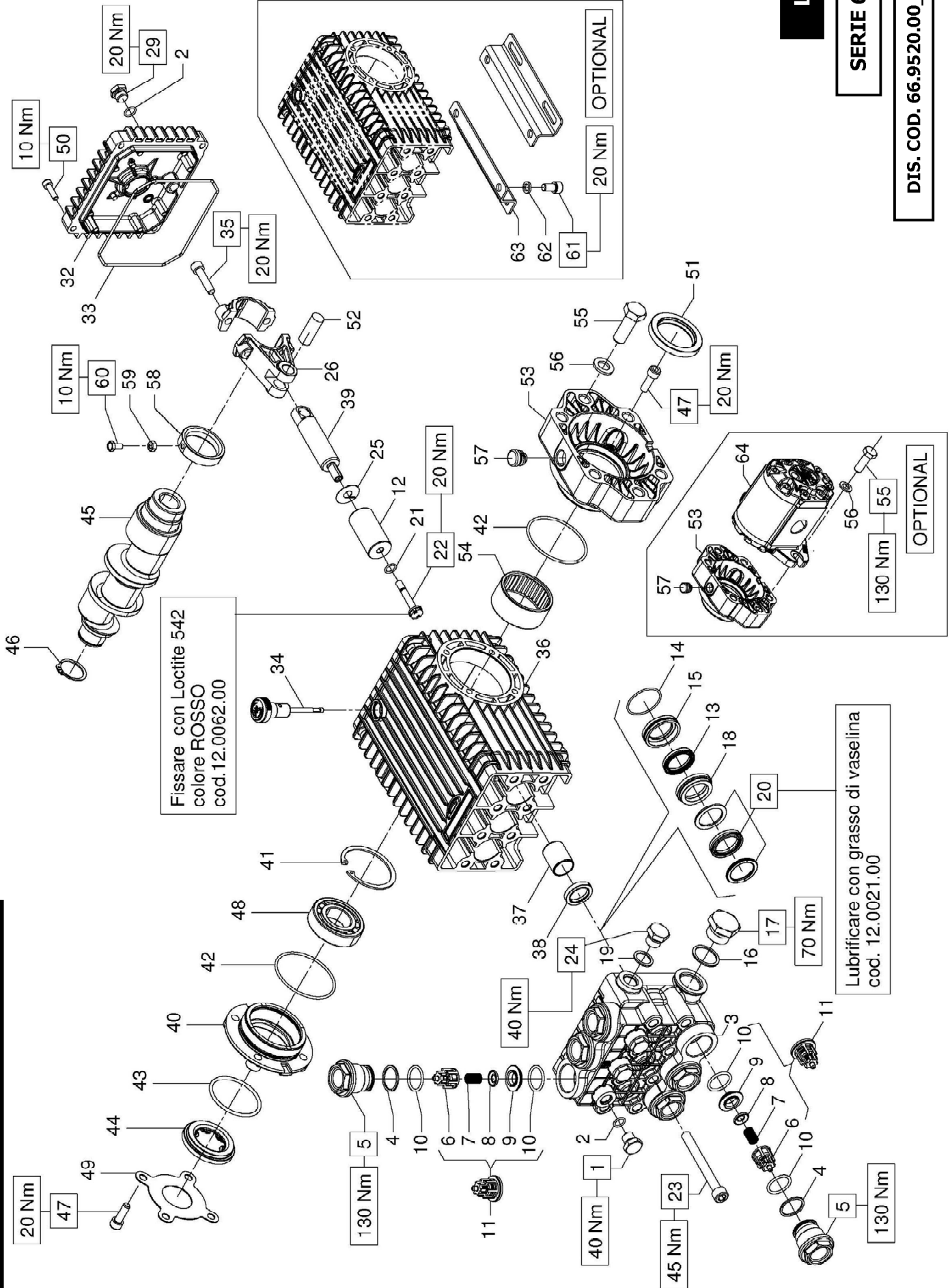
KIT Nr.	KIT 2	KIT 3	KIT 169	KIT 248	KIT 247
Posizioni include Positions included	38	48	6 - 7 8 - 9 10 (11)	13 - 20	13 - 14 15 - 18 20
Nr. Pcs.	3	2	6	3	1

POS	COD.	DESCRIZIONE - DESCRIPTION - KIT	NR
1	98.2043.00	Tappo G 1/4"x13	3
2	90.3585.00	OR D. 10.82x1.78 NBR 70SH 2043	4
3	66.1246.41	Testata pompa D. 28	1
4	90.5165.00	Anello antiest. D. 24.7x29.0x1.5	6
5	66.1300.41	Tappo M32x1.5x29.5	6
6	36.2035.51	Guida valvola	169
7	94.7388.00	Molla Dm. 10.0x18.5	169
8	36.2034.76	Valvola sferica	169
9	36.2033.66	Sede valvola	169
10	90.3857.00	OR D. 23.81x2.62 NBR 70SH 132	169
11	36.7127.01	Gr. valvola aspiraz./mandata	169
12	66.0410.09	Pistone D. 28x54	3
13	90.2753.00	Anello tenuta D. 28x36x6.5 LP	247 248
14	90.3620.00	OR D. 37.82x1.78 NBR 70SH 2150	247
15	66.0825.70	Anello di fondo D. 28	247
16	96.7700.00	Rosetta D. 26.5x32.0x1.5	1
17	98.2268.00	Tappo G 3/4"x16	1
18	66.2200.70	Anello intermedio D. 28	247
19	96.7380.00	Rosetta D. 17.5x23.0x1.5	1
20	90.2754.00	Anello tenuta D. 28x38x10 HP	247 248
21	90.3584.00	OR D. 10.82x1.78 NBR 90SH 2043	3
22	66.2195.66	Vite fissaggio pistone	3
23	99.3801.00	Vite M10x90 UNI 5931	8
24	98.2100.00	Tappo G 3/8"x13	1
25	96.7101.00	Rosetta D. 10.0x28.0x0.5	3
26	66.0300.01	Biella completa	3

POS	COD.	DESCRIZIONE - DESCRIPTION - KIT	NR
29	98.2042.50	Tappo G 1/4"x9 TE17 - Zinc.	1
32	66.1600.22	Coperchio posteriore	1
33	90.3922.00	OR D. 133.02x2.62 NBR 70SH 3525	1
34	98.2106.00	Tappo con asta G 3/8"x64	1
35	99.3099.00	Vite serraggio biella	6
36	66.0100.22	Carter pompa	1
37	90.9126.00	Boccola D. 22x25x30	3
38	90.1625.00	Anello rad. D. 22.0x32.0x5.5	2
39	66.0500.66	Guida pistone	3
40	99.3039.00	Vite M8x16 UNI 5931	4
41	90.0756.00	Anello d'arresto Z145	1
42	70.2118.01	Spia livello olio	1
43	90.3877.00	OR D. 39.34x2.62 NBR 70SH 3156	1
44	91.8380.00	Cuscinetto a rulli	2
45	47.1512.22	Coperchio laterale lato spia	1
46	90.3913.00	OR D. 67.95x2.62 NBR 70SH 3268	2
47	99.1884.00	Vite M6x20 UNI 5931	4
48	90.1648.00	Anello rad. D. 30.0x55.0x7.0	3
49	66.0212.35	Albero ecc. C.19	1
50	91.4685.00	Linguetta 4.0/4.8x18.0	1
51	47.1510.22	Coperchio laterale lato PTO	1
52	97.7405.00	Spinotto D. 1.4x39	3
53	99.3069.00	Vite M8x25 UNI 5931	4
54	10.0862.22	Flangia SAE A-2 fori	1
55	96.7103.00	Rosetta D. 10.5x18.0x2.0	2
56	99.3686.00	Vite M10x30 UNI 5931	2
57	90.2065.00	Tappo per foro D. 17 - TTN19	1

POS	COD.	DESCRIZIONE - DESCRIPTION - KIT	NR
58	59.2117.71	Anello per albero D. 26 H.Pack	1
59	92.2025.00	Dado M6x5.0 5588 Zinc.	1
60	70.2270.34	Vite M6x12 con incavo completa	1
61	99.3644.00	Vite M10x18 UNI 5931	4
62	96.7106.00	Rosetta D. 10.2x16.0x2.5	4
63	47.2000.74	Piede pompa	2
64	95.1070.00	Motore ingr. 026R / S-A cil. / G	1

**VERSION Y (for hydraulic motors SAE B)**



Fissare con Loctite 542  
colore ROSSO  
cod. 12.0062.00

Lubrificare con grasso di vaselina  
cod. 12.0021.00

OPTIONAL  
20 Nm

OPTIONAL  
130 Nm

**LP**

**SERIE 66**

**DIS. COD. 66.9520.00\_2**

**W1555 W2525 T2535 T2040 T1750 T2830**

**KIT RICAMBI - SPARE KITS**

KIT Nr.	KIT 2	KIT 169	PISTONE - PISTON D. 20		PISTONE - PISTON D. 22		PISTONE - PISTON D. 24		PISTONE - PISTON D. 28	
			KIT 170	KIT 171	KIT 172	KIT 173	KIT 181	KIT 182	KIT 248	KIT 247
Posizioni incluse Positions included	38	6-7 8-9 10 (11)	13-20	13-14 15-18 20	13-20	13-14 15-18 20	13-20	13-14 15-18 20	13-20	13-14 15-18 20
Nr. Pcs.	3	6	3	1	3	1	3	1	3	1

PISTONE - PISTON D. 20	PISTONE - PISTON D. 22
W2525 T2535 T2830	T2040
PISTONE - PISTON D. 24	PISTONE - PISTON D. 28
T1750	W1555

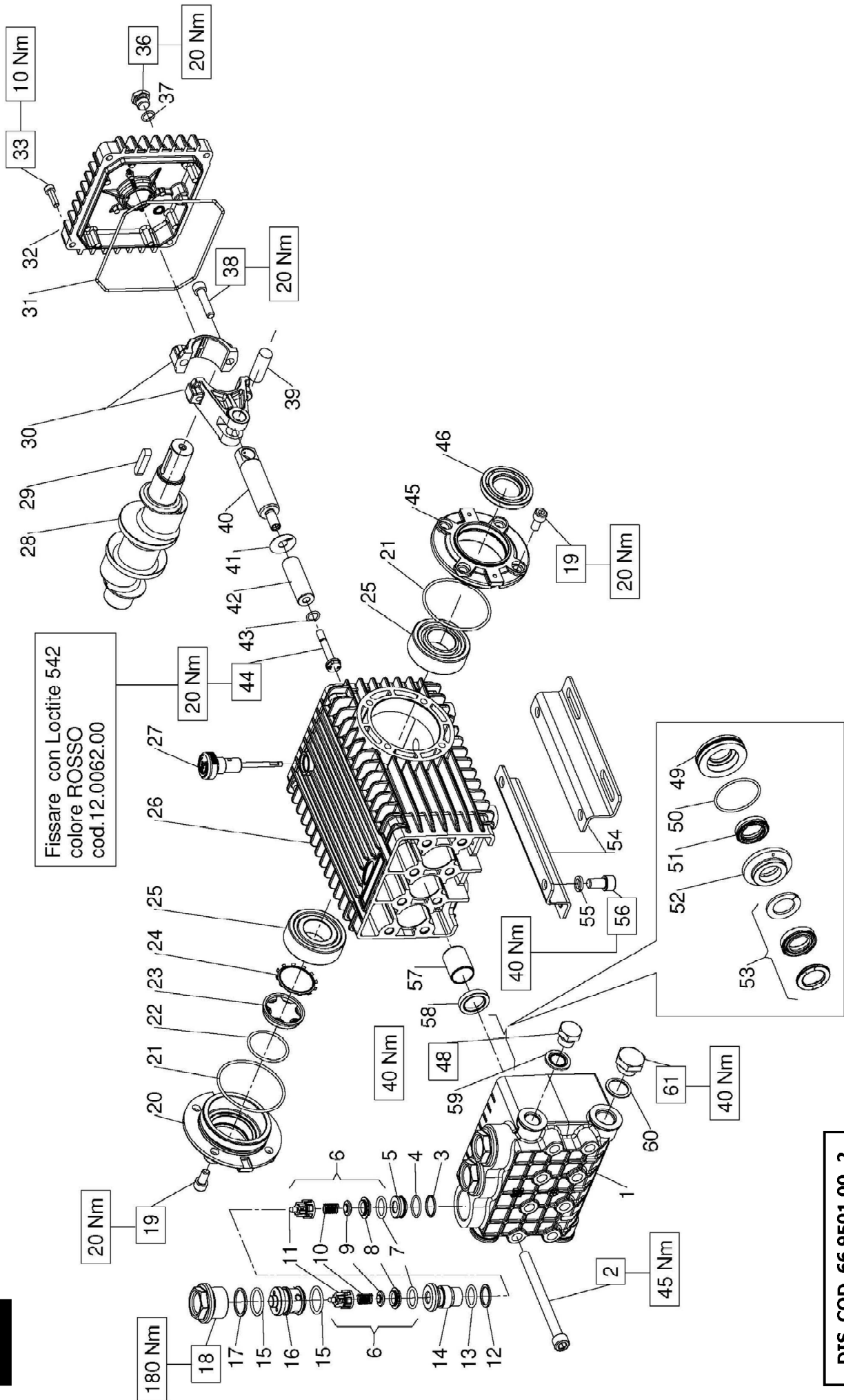
POS	COD.	DESCRIZIONE - DESCRIPTION - KIT	NR
1	98.2043.00	Tappo G 1/4"x13	3
2	90.3585.00	OR D. 10.82x1.78 NBR 70SH 2043	4
3	66.1200.41	Testata pompa D. 20	1
	66.1201.41	Testata pompa D. 22	
	66.1202.41	Testata pompa D. 24	
	66.1246.41	Testata pompa D. 28	
4	90.5165.00	Anello antiest. D. 24.7x29.0x1.5	6
5	66.1300.41	Tappo M32x1.5x29.5	6
6	36.2035.51	Guida valvola	169
7	94.7388.00	Molla Dm. 10.0x18.5	169
8	36.2034.76	Valvola sferica	169
9	36.2033.66	Sede valvola sferica	169
10	90.3857.00	OR D. 23.81x2.62 NBR 70SH 132	169
11	36.7127.01	Gr. valvola aspiraz./mandata	169
12	66.0400.09	Pistone D. 20x54	3
	66.0401.09	Pistone D. 22x54	
	66.0404.09	Pistone D. 24x54	
	66.0410.09	Pistone D. 28x54	
13	90.2692.00	Anello tenuta D. 20x30x10 HP	170 171
	90.2717.00	Anello tenuta D. 22x32x10 HP	
	90.2741.00	Anello tenuta D. 24x34x10 HP	
	90.2754.00	Anello tenuta D. 28x38x10 HP	
14	90.3616.00	OR D. 34.65x1.78 NBR 70SH 2137	171 173 176 247
15	66.0800.70	Anello di fondo D. 20	171
	66.0801.70	Anello di fondo D. 22	
	66.0804.70	Anello di fondo D. 24	
	66.0825.70	Anello di fondo D. 28	

POS	COD.	DESCRIZIONE - DESCRIPTION - KIT	NR
16	96.7700.00	Rosetta D. 26.5x32.0x1.5	1
17	98.2268.00	Tappo G 3/4"x16	1
18	66.2160.70	Anello intermedio D. 20	3
	66.2161.70	Anello intermedio D. 22	
	66.2164.70	Anello intermedio D. 24	
	66.2200.70	Anello intermedio D. 28	
19	96.7380.00	Rosetta D. 17.5x23.0x1.5	1
20	90.2690.00	Anello tenuta D. 20x28x6.5 LP	3
	90.2715.00	Anello tenuta D. 22x30x6.5 LP	
	90.2738.00	Anello tenuta D. 24x32x6.5 LP	
	90.2753.00	Anello tenuta D. 28x36x6.5 LP	
21	90.3584.00	OR D. 10.82x1.78 NBR 90SH 2043	3
22	66.2195.66	Vite fissaggio pistone	3
23	99.3801.00	Vite M10x90 UNI 5931	8
24	98.2100.00	Tappo G 3/8"x13	1
25	96.7101.00	Rosetta D. 10.0x28.0x0.5	3
26	66.0300.01	Biella completa	3
29	98.2042.50	Tappo G 1/4"x9 TE17 - ZInc.	1
32	66.1600.22	Coperchio posteriore	1
33	90.3922.00	OR D. 133.02x2.62 NBR 70SH 3525	1
34	98.2106.00	Tappo con asta G 3/8"x64	1
35	99.3099.00	Vite serraggio biella	6
36	66.0100.22	Carter pompa	1
37	90.9126.00	Boccola D. 22x25x30	3
38	90.1625.00	Anello rad. D. 22.0x32.0x5.5	2
39	66.0500.66	Guida pistone	3
40	59.1500.22	Coperchio laterale lato spia	1
41	90.0850.00	Anello d'arresto D. 62	1
42	90.3913.00	OR D. 67.95x2.62 NBR 70SH 3268	2
43	90.4097.00	OR D. 55.56x3.53 NBR 70SH 159	1

POS	COD.	DESCRIZIONE - DESCRIPTION - KIT	NR
44	44.2118.01	Distanziale con indicatore	1
45	66.0214.65	Albero ecc. C.19 - W2525 T2830	1
	66.0213.65	Albero ecc. C.21 - T2535 T2040 T1750 W1555	
46	90.0667.00	Anello d'arresto D. 30	1
47	99.3069.00	Vite M8x25 UNI 5931	8
48	91.8376.00	Cuscinetto a rulli	1
49	66.1502.74	Coperchio laterale	1
50	99.1884.00	Vite M6x20 UNI 5931	4
51	90.1690.00	Anello rad. D. 45.0x62.0x8.0	1
52	97.7405.00	Spinotto D. 14x39	3
53	10.0872.22	Flangia per motore idraulico SAE-B	4
54	91.8587.00	Boccola a rullini	1
55	99.4848.00	Vite M14x40 UNI 5739	2
56	96.7282.00	Rosetta D. 15.0x24.0x2.5	2
57	90.2065.00	Tappo per foro D. 17 - TTN19	1
58	71.2289.71	Anello D. 40 per albero H.Pack	1
59	98.2025.00	Dado M6X5	1
60	70.2270.34	Vite M6X12 completa	1
61	99.3644.00	Vite M10x18 UNI 5931	4
62	96.7106.00	Rondella D. 10.2x16.0x2.5	4
63	47.2000.74	Piede pompa	2
64	95.1080.00	Motore ingranaggi 037/R	1

**SERIE 66**

**HP**



**DIS. COD. 66.9501.00\_2**

**KIT RICAMBI - SPARE KITS**

KIT RICAMBI - SPARE KITS				PISTONE - PISTON D. 16		PISTONE - PISTON D. 18	
KIT Nr.	KIT 2	KIT 3	KIT 150	KIT 174	KIT 175	KIT 180	KIT 176
Posizioni include Positions included	58	46	7 - 8 9 - 10 11 (6)	51-53	49 - 50 51 - 52 53	51-53	49 - 50 51 - 52 53
Nr. Pcs.	3	2	6	3	1	3	1

**W5015 W4518 W4015 W4018 W3521 W3523 W4021  
T4018 W5018 T5018 T5015**

PISTONE - PISTON - D. 16		PISTONE - PISTON - D. 18	
<b>OTTONE</b> W5015 W4518 W4015 W4018 T4018 T5015			W3521 W3523
<b>NICKEL</b> W5018 T5018			W4021

POS	COD.	DESCRIZIONE - DESCRIPTION - KIT	NR
1	66.1210.41 66.1211.41 66.1253.01 66.1240.41 66.1247.41	Testata pompa D. 16 Testata pompa D. 18 Testata pompa D. 18 - NICKEL Testata pompa D. 16 - W5015 W4518 Testata pompa D. 16 - NICKEL	1
2	99.3820.00	Vite M10x120 UNI 5931	8
3	90.5118.00	Anello antiest. D. 19.5x22.0x1.5	3
4	90.3596.00	OR D. 18.77x1.78 NBR 70SH 2075	3
5	66.2102.70	Distanziale	3
6	36.7121.01	Gr. valvola aspiraz./mandata	150
7	90.3841.00	OR D. 17.13x2.62 NBR 70SH 3068	150
8	36.2003.66	Sede valvola	150
9	36.2032.66	Valvola sferica	150
10	94.7376.00	Molla Dm. 9.4x14.8	150
11	36.2025.51	Guida valvola	150
12	90.5115.00	Anello antiest. D. 18.7x23.0x1.5	3
13	90.3843.00	OR D. 17.86x2.62 NBR 70SH 123	3
14	66.2101.66	Bussola	3
15	90.3857.00	OR D. 23.81x2.62 NBR 70SH 132	6
16	66.2100.70	Tappo D. 29	3
17	90.5165.00	Anello antiest. D. 24.7x29.0x1.5	3
18	66.1301.41 66.1310.41	Tappo valvole M32x1.5x18.5 Tappo valvole M32x1.5x18.5 - NICKEL	3
19	99.3039.00	Vite M8x16 UNI 5931	8
20	47.1512.22	Coperchio laterale lato spia	1
21	90.3913.00	OR D. 67.95x2.62 NBR 70SH 3268	2

POS	COD.	DESCRIZIONE - DESCRIPTION - KIT	NR
22	90.3877.00	OR D. 39.34x2.62 NBR 70SH 3156	1
23	70.2118.01	Spia livello olio	1
24	90.0756.00	Anello d'arresto Z145	1
25	91.8380.00	Cuscinetto a rulli	2
26	66.0100.22	Carter pompa	1
27	98.2106.00	Tappo con asta G 3/8"x64	1
28	66.0200.35 66.0204.35	Albero ecc. C.19 - W5015 W4015 W3521 T4018 T5018 W4021 Albero ecc. C.21 - W4518 W4018 W3523 W5018	1
29	91.4892.00	Albero ecc. C.16 - T5015	1
30	66.0300.01	Linguetta 9.0x7.0x35.0	3
31	90.3922.00	OR D.133.02x2.62 NBR 70SH 3525	1
32	66.1600.22	Coperchio posteriore	1
33	99.1884.00	Vite M6x20 UNI 5931	4
36	98.2042.50	Tappo G 1/4"x9 TE17 - Zinc.	1
37	90.3585.00	OR D. 10.82x1.78 NBR 70SH 2043	1
38	99.3099.00	Vite serraggio biella	6
39	97.7405.00	Spinotto D. 14x39	3
40	66.0500.66	Guida pistone	3
41	96.7101.00	Rosetta D. 10.0x28.0x0.5	3
42	66.0402.09 66.0403.09	Pistone D. 16x54 Pistone D. 18x54	3
43	90.3584.00	OR D. 10.82x1.78 NBR 90SH 2043	3
44	66.2195.66	Vite fissaggio pistone	3
45	47.1510.22	Coperchio laterale lato PTO	1
46	90.1648.00	Anello rad. D. 30.0x56.0x7.0	3
48	98.2100.00	Tappo G 3/8"x13	1

POS	COD.	DESCRIZIONE - DESCRIPTION - KIT	NR
49	66.0802.70 66.0803.70	Anello di fondo D. 16 Anello di fondo D. 18	175 176
50	90.3616.00	OR D. 34.65x1.78 NBR 70SH 2137	175 176
51	90.2631.00 90.2652.00	Anello tenuta D. 16x24x6.5 LP Anello tenuta D. 18x26x6.5 LP	175 176
52	66.2162.70 66.2163.70	Anello intermedio D. 16 Anello intermedio D. 18	175 176
53	90.2634.00 90.2655.00	Anello tenuta D. 16x26x9.5 HP Anello tenuta D. 18x28x10 HP	174 175 180 176
54	47.2000.74	Piede pompa	2
55	96.7106.00	Rosetta D. 10.2x16.0x2.5	4
56	99.3644.00	Vite M10x18 UNI 5931	4
57	90.9126.00	Boccola D. 22x25x30	3
58	90.1625.00	Anello rad. D. 22.0x32.0x5.5	2
59	93.1858.00	Rondella di tenuta G 3/8"	1
60	96.7514.00	Rosetta D. 21.5x27.0x1.5	1
61	98.2176.00	Tappo G 1/2"x10	1



**KIT RICAMBI - SPARE KITS**

KIT Nr.	KIT 2	KIT 3	KIT 169	PISTONE - PISTON D. 18		PISTONE - PISTON D. 20		PISTONE - PISTON D. 22		KIT 248	KIT 247
				KIT 180	KIT 176	KIT 170	KIT 171	KIT 172	KIT 173		
Posizioni include Positions included	46	12	3-4 5-6 7 (10)	39-41	37-38 39-40 41	39-41	37-38 39-40 41	39-41	37-38 39-40 41	39-41	37-38 39-40 41
Nr. Pcs.	3	2	6	3	1	3	1	3	1	3	1

**W3021 W2525 W3025 W2030 W1550 T3025  
T2530 T2830**

PISTONE - PISTON D. 18	PISTONE - PISTON D. 20
W3021 T3025	W2525 W3025 T2530 T2830
<b>PISTONE - PISTON D. 22</b>	<b>PISTONE - PISTON D. 28</b>
W2030	W1550

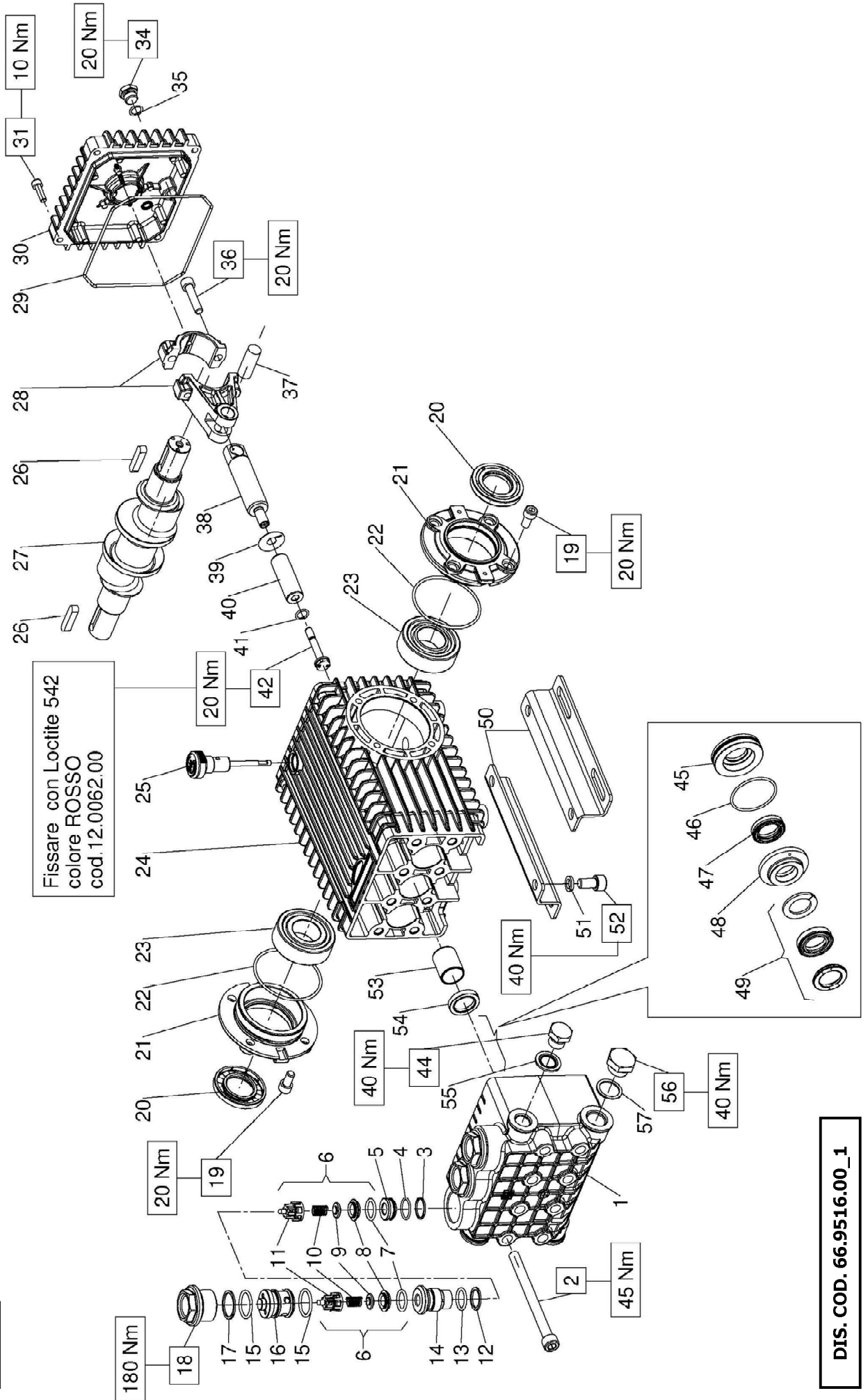
POS	COD.	DESCRIZIONE - DESCRIPTION - KIT	NR
21	90.3922.00	OR D.133.02x2.62 NBR 70SH 3525	1
22	66.1600.22	Coperchio posteriore	1
23	99.1884.00	Vite M6x20 UNI 5931	4
26	98.2042.50	Tappo G 1/4"x9 TE17 - Zinc.	1
27	90.3585.00	OR D. 10.82x1.78 NBR 70SH 2043	4
28	99.3099.00	Vite serraggio biella	6
29	97.7405.00	Spinotto D. 14x39	3
30	66.0500.66	Guida pistone	3
31	96.7101.00	Rosetta D. 10.0x28.0x0.5	3
32	66.0403.09	Pistone D. 18x54	3
	66.0400.09	Pistone D. 20x54	
	66.0401.09	Pistone D. 22x54	
	66.0410.09	Pistone D. 28x54	
33	90.3584.00	OR D. 10.82x1.78 NBR 90SH 2043	3
34	66.2195.66	Vite fissaggio pistone	3
36	98.2100.50	Tappo G 3/8"x13 TE22 - Zinc.	1
37	66.0803.70	Anello di fondo D. 18	176
	66.0800.70	Anello di fondo D. 20	171
	66.0801.70	Anello di fondo D. 22	173
	66.0825.70	Anello di fondo D. 28	247
38	90.3616.00	OR D. 34.65x1.78 NBR 70SH 2137	3
	90.3620.00	OR D. 37.82x1.78 NBR 70SH 2150	
39	90.2652.00	Anello tenuta D. 18x26x6.5 LP	180 176
	90.2690.00	Anello tenuta D. 20x28x6.5 LP	170 171
	90.2715.00	Anello tenuta D. 22x30x6.5 LP	172 173
	90.2753.00	Anello tenuta D. 28x36x6.5 LP	247 248

POS	COD.	DESCRIZIONE - DESCRIPTION - KIT	NR
40	66.2163.70	Anello intermedio D. 18	176
	66.2160.70	Anello intermedio D. 20	171
	66.2161.70	Anello intermedio D. 22	173
	66.2200.70	Anello intermedio D. 28	247
41	90.2655.00	Anello tenuta D. 18x28x10 HP	180 176
	90.2692.00	Anello tenuta D. 20x30x10 HP	170 171
	90.2717.00	Anello tenuta D. 22x32x10 HP	172 173
	90.2754.00	Anello tenuta D. 28x38x10 HP	247 248
42	47.2000.74	Piede pompa	2
43	96.7106.00	Rosetta D. 10.2x16.0x2.5	4
44	99.3644.00	Vite M10x18 UNI 5931	4
45	90.9126.00	Boccola D. 22x25x30	3
46	90.1625.00	Anello rad. D. 22.0x32.0x5.5	2
47	96.7380.00	Rosetta D. 17.5x23.0x1.5	1
48	98.2268.00	Tappo G 3/4"x16	1
49	96.7700.00	Rosetta D. 26.5x32.0x1.5	1
50	98.2043.00	Tappo G 1/4"x13	3

POS	COD.	DESCRIZIONE - DESCRIPTION - KIT	NR
1	66.1245.41	Testata pompa D. 18	1
	66.1200.41	Testata pompa D. 20	
	66.1201.41	Testata pompa D. 22	
	66.1246.41	Testata pompa D. 28	
2	99.3801.00	Vite M10x90 UNI 5931	8
3	90.3857.00	OR D. 23.81x2.62 NBR 70SH 132	169 12
4	36.2033.66	Sede valvola	169 6
5	36.2034.76	Valvola sferica	169 6
6	94.7388.00	Molla Dm. 10.0x18.5	169 6
7	36.2035.51	Guida valvola	169 6
8	90.5165.00	Anello antiest. D. 24.7x19.0x1.5	169 6
9	66.1300.41	Tappo M32x1.5x29.5	169 6
10	36.7127.01	Gr. valvola aspiraz./mandata	169 6
11	99.3039.00	Vite M8x16 UNI 5931	169 8
12	90.1648.00	Anello rad. D. 30.0x55.0x7.0	3 2
13	47.1510.22	Coperchio laterale lato PTO	2
14	90.3913.00	OR D. 67.95x2.62 NBR 70SH 3268	2
15	91.8380.00	Cuscinetto a rulli	2
16	66.0100.22	Carter pompa	1
17	98.2106.00	Tappo con asta G 3/8"x64	1
18	91.4892.00	Linguetta 9.0x7.0x35.0	2
19	66.0210.35	Albero ecc. C.19	1
20	66.0300.01	Biella completa	3

**SERIE 66**

**HP**



**DIS. COD. 66.9516.00\_1**

**W5015 W4015 W3521 W4021 T4018 T5018**

PISTONE - PISTON - D. 16		PISTONE - PISTON - D. 18	
<b>OTTONE BRASS</b>	W5015 W4015 W4018	W3521	
<b>NICKEL</b>	T5018	W4021	

POS	COD.	DESCRIZIONE - DESCRIPTION - KIT	NR
1	66.1210.41	Testata pompa D. 16	
	66.1211.41	Testata pompa D. 18	
	66.1253.01	Testata pompa D. 18 - NICKEL	1
	66.1240.41	Testata pompa D. 16 - W5015 W4518	
	66.1247.41	Testata pompa D. 16 - NICKEL	
2	99.3820.00	Vite M10x120 UNI 5931	8
3	90.5118.00	Anello antiestr. D. 19.5x22.0x1.5	3
4	90.3596.00	OR D. 18.77x1.78 NBR 70SH 2075	3
5	66.2102.70	Distanziale	3
6	36.7121.01	Gr. valvola aspiraz./mandata	150
7	90.3841.00	OR D. 17.13x2.62 NBR 70SH 3068 150	6
8	36.2003.66	Sede valvola	150
9	36.2032.66	Valvola sferica	150
10	94.7376.00	Molla Dm. 9.4x14.8	150
11	36.2025.51	Guida valvola	150
12	90.5115.00	Anello antiest. D. 18.7x23.0x1.5	3
13	90.3843.00	OR D. 17.86x2.62 NBR 70SH 123	3
14	66.2101.66	Bussola	3
15	90.3857.00	OR D. 23.81x2.62 NBR 70SH 132	6
16	66.2100.70	Tappo D. 29	3
17	90.5165.00	Anello antiest. D. 24.7x29.0x1.5	3
18	66.1301.41	Tappo valvole M32x1.5x18.5	3
19	99.3039.00	Vite M8x16 UNI 5931	8
20	90.1648.00	Anello rad. D. 30.0x56.0x7.0	3
			2

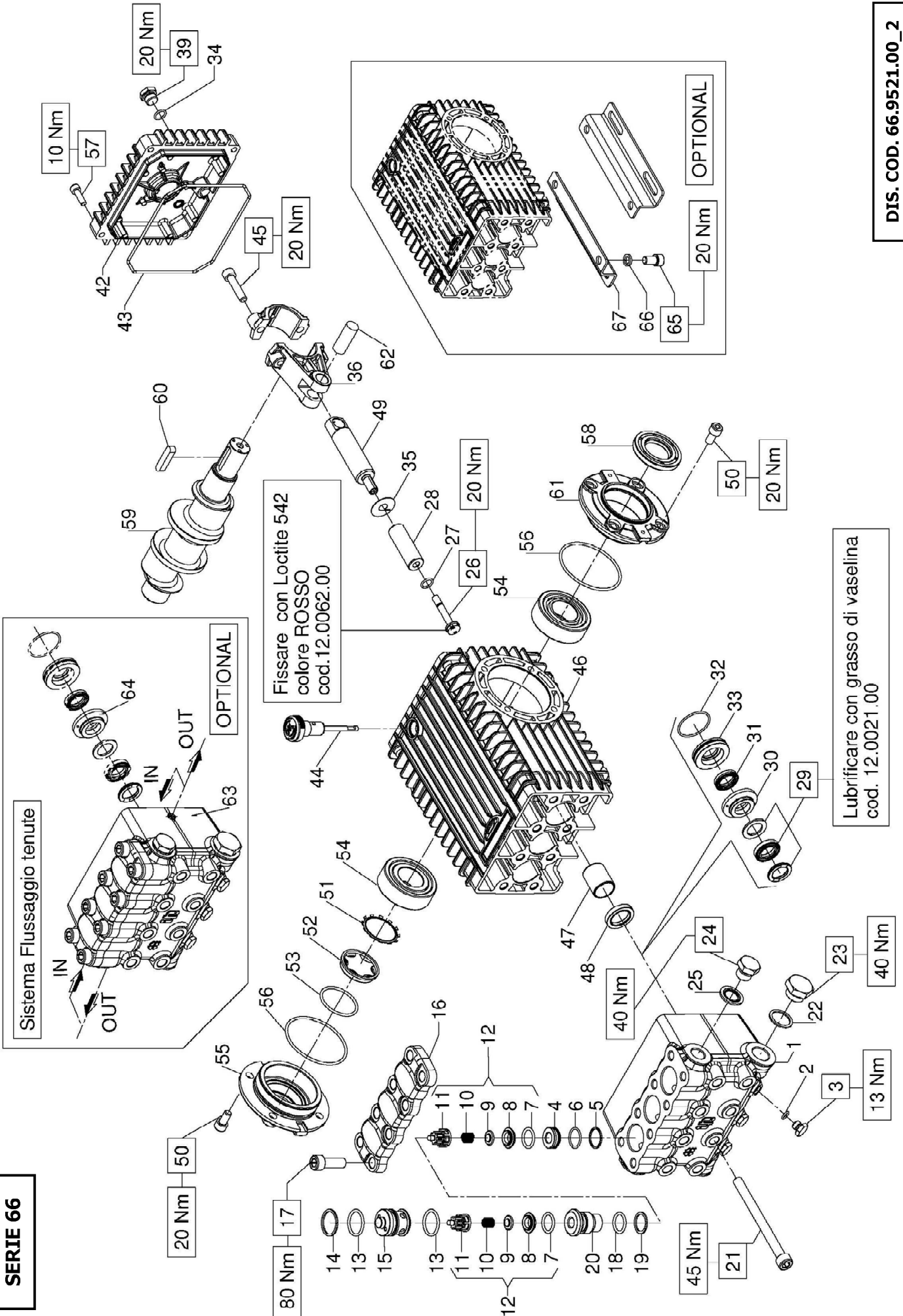
**KIT RICAMBI - SPARE KITS**

KIT Nr.	KIT 2	KIT 3	PISTONE - PISTON D. 16		PISTONE - PISTON D. 18	
			KIT 174	KIT 175	KIT 180	KIT 176
Posizioni include Positions included	54	20	47 - 49	45 - 46 47 - 48 49	47 - 49	45 - 46 47 - 48 49
Nr. Pcs.	3	2	3	1	3	1

POS	COD.	DESCRIZIONE - DESCRIPTION - KIT	NR
21	47.1510.22	Coperchio laterale lato PTO	2
22	90.3913.00	OR D. 67.95x2.62 NBR 70SH 3268	2
23	91.8380.00	Cuscinetto a rulli	2
24	66.0100.22	Carter pompa	1
25	98.2106.00	Tappo con asta G 3/8"x64	1
26	91.4892.00	Linguetta 9.0x7.0x35.0	2
27	66.0210.35	Albero ecc. C.19	1
28	66.0300.01	Biella completa	3
29	90.3922.00	OR D.133.02x2.62 NBR 70SH 3525	1
30	66.1600.22	Coperchio posteriore	1
31	99.1884.00	Vite M6x20 UNI 5931	4
34	98.2042.50	Tappo G 1/4"x9 TE17 - Zinc.	1
35	90.3585.00	OR D. 10.82x1.78 NBR 70SH 2043	1
36	99.3099.00	Vite serraggio biella	6
37	97.7405.00	Spinotto D. 14x39	3
38	66.0500.66	Guida pistone	3
39	96.7101.00	Rosetta D. 10.0x28.0x0.5	3
40	66.0402.09 66.0403.09	Pistone D. 16x54 Pistone D. 18x54	3
41	90.3584.00	OR D. 10.82x1.78 NBR 90SH 2043	3
42	66.2195.66	Vite fissaggio pistone	3
44	98.2100.00	Tappo G 3/8"x13	1
45	66.0802.70 66.0803.70	Anello di fondo D. 16 Anello di fondo D. 18	175 176
46	90.3616.00	OR D. 34.65x1.78 NBR 70SH 2137	3
			175 176
47	90.2631.00 90.2652.00	Anello tenuta D. 16x24x6.5 LP Anello tenuta D. 18x26x6.5 LP	174 175 180-176

POS	COD.	DESCRIZIONE - DESCRIPTION - KIT	NR
48	66.2162.70 66.2163.70	Anello intermedio D. 16 Anello intermedio D. 18	175 176
49	90.2634.00 90.2655.00	Anello tenuta D. 16x26x9.5 HP 174-175 Anello tenuta D. 18x28x10 HP 180-176	3
50	47.2000.74	Piede pompa	2
51	96.7106.00	Rosetta D. 10.2x16.0x2.5	4
52	99.3644.00	Vite M10x18 UNI 5931	4
53	90.9126.00	Boccola D. 22x25x30	3
54	90.1625.00	Anello rad. D. 22.0x32.0x5.5	2
55	93.1858.00	Rondella di tenuta G 3/8"	1
56	96.7514.00	Rosetta D. 21.5x27.0x1.5	1
57	98.2176.00	Tappo G 1/2"x10	1

**SERIE 66**



DIS. COD. 66.9521.00\_2

**KIT RICAMBI - SPARE KITS**

<b>WK5021</b>	
<b>KIT Nr.</b>	<b>KIT 0002</b>
<b>Posizioni include Positions included</b>	<b>48</b>
<b>Nr. Pcs.</b>	<b>3</b>

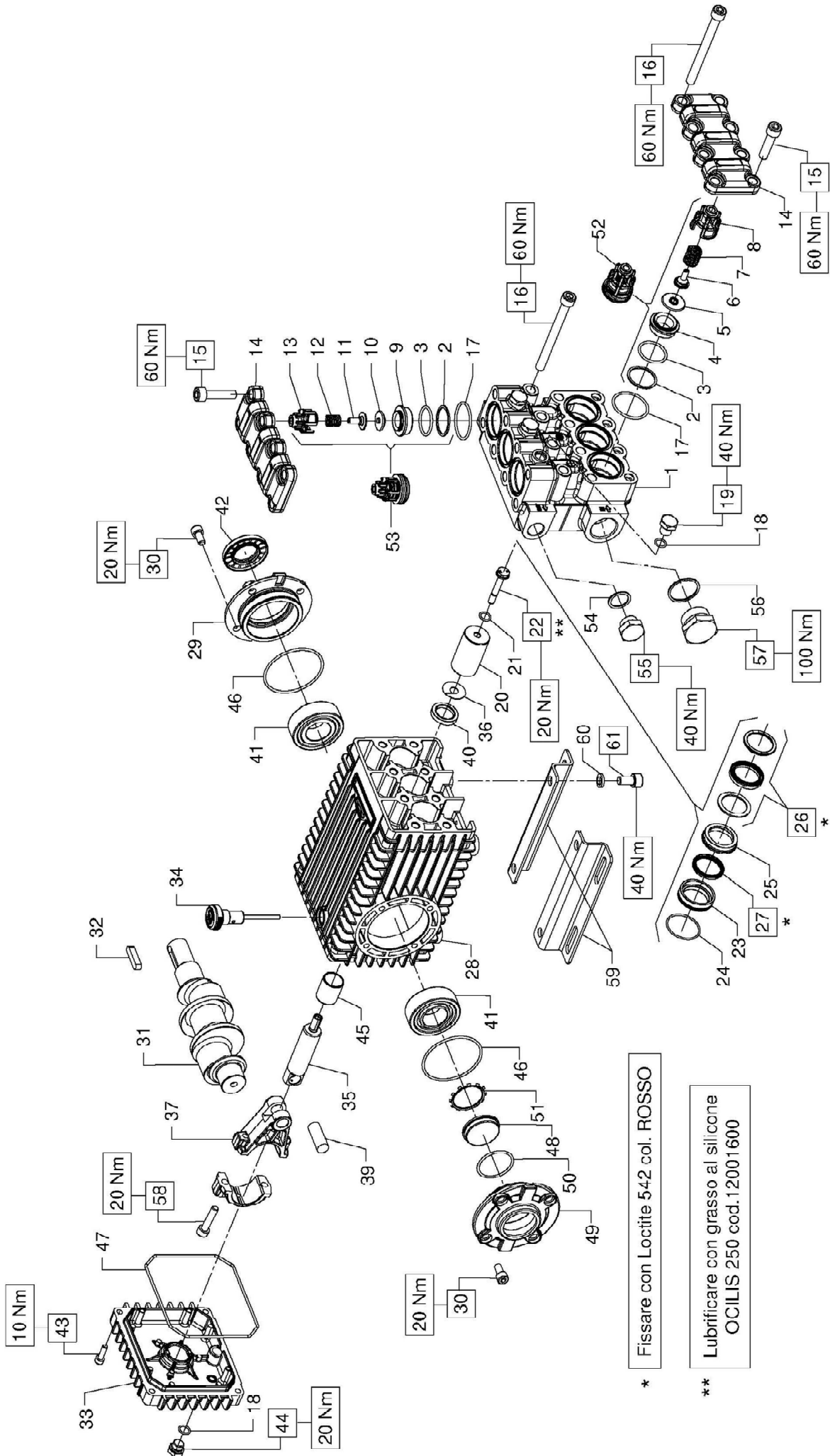
<b>KIT 0003</b>		<b>KIT 0150</b>	<b>KIT 0180</b>	<b>KIT 0176</b>
<b>58</b>		<b>7 - 8 9 - 10 11 (12)</b>	<b>29 - 31</b>	<b>29 - 30 31 - 32 33</b>
<b>2</b>		<b>6</b>	<b>3</b>	<b>1</b>

POS	COD.	DESCRIZIONE - DESCRIPTION - KIT	NR
1	66.1249.39	Testata pompa D. 18	1
2	90.3576.00	OR D. 6.72x1.78 NBR 70SH 106	3
3	98.1972.00	Tappo G 1/8"x8	3
4	66.2102.70	Distanziale	3
5	90.5118.00	Anello antiest. D. 19.5x22.0x1.5	3
6	90.3596.00	OR D. 18.77x1.78 NBR 70SH 2075	3
7	90.3841.00	OR D. 17.13x2.62 NBR 70SH 3068	6
8	36.2003.66	Sede valvola	150
9	36.2032.66	Valvola sferica	150
10	94.7376.00	Molla Dm. 9.4x14.8	150
11	36.2025.51	Guida valvola	150
12	36.7121.01	Gr. valvola aspirazione e mandata	150
13	90.3857.00	OR D. 23.81x2.62 NBR 70SH 132	6
14	90.5165.00	Anello antiest. D. 24.7x29.0x1.5	3
15	66.2100.70	Tappo D. 29	3
16	66.2203.36	Coperchio valvole	1
17	99.3687.00	Vite M10x30 5931	8
18	90.3843.00	OR D. 17.86x2.62 NBR 70SH 123	3
19	90.5115.00	Anello antiest. D. 18.7x23.0x1.5	3
20	66.2101.66	Bussola	3
21	98.3820.00	Vite M10x120 5931	8
22	96.7514.00	Rosetta D. 21.5x27.0x1.5	1
23	98.2179.00	Tappo G 1/2"x10	1
24	98.2099.00	Tappo G 3/8"x13	1
25	93.1858.00	Rosetta con tenuta G 3/8"	1
26	66.2195.66	Vite fissaggio pistone	3
27	90.3584.00	OR D. 10.82x1.78 NBR 90SH 2043	3

POS	COD.	DESCRIZIONE - DESCRIPTION - KIT	NR
28	66.0403.09	Pistone D. 18x54	3
29	90.2655.00	Anello ten. alt. D. 18.0x28.0x10.0 HP	3
30	66.2163.73	Anello intermedio D. 18	176 180
31	90.2652.00	Anello ten. alt. D. 18.0x26.0x6.5 LP	176 180
32	90.3616.00	OR D. 34.65x1.78 NBR 70SH 2137	176 180
33	66.0803.70	Anello di fondo D. 18	176
34	90.3585.00	OR D. 10.82x1.78 NBR 70SH 2043	1
35	96.7101.00	Rosetta D. 10.0x28.0x0.5	3
36	66.0300.01	Biella	3
39	98.2042.50	Tappo G 1/4"x9 TEI7 Zinc.	1
42	66.1600.22	Coperchio posteriore	1
43	90.3922.00	OR D. 133.02x2.62 NBR 70SH 3525	1
44	98.2106.00	Tappo con asta G 3/8"x64 D. 4	1
45	99.3099.00	Vite serraggio biella	6
46	66.0100.22	Carter pompa	1
47	90.9126.00	Boccola D. 22x25x30	3
48	90.1625.00	Anello rad. D. 22.0x32.0x5.0	2
49	66.0500.66	Guida pistone	1
50	99.3039.00	Vite M8x16 5931	8
51	90.0756.00	Anello d'arresto Z145	1
52	70.2118.01	Spia livello olio	1
53	90.3877.00	OR D. 39.34x2.62 NBR 70SH 3156	1
54	91.8380.00	Cuscinetto a rulli	2
55	47.1512.22	Coperchio laterale lato spia	1
56	90.3913.00	OR D. 67.95x2.62 NBR 70SH 3268	2
57	99.1884.00	Vite M6x20 5931	4

POS	COD.	DESCRIZIONE - DESCRIPTION - KIT	NR
58	90.1648.00	Anello rad. D. 30.0x55.0x7.0	3
59	66.0200.35	Albero ecc. C. 19	1
60	91.4892.00	Linguetta 8x7x35	1
61	47.1510.22	Coperchio laterale lato PTO	1
62	97.7405.00	Spinotto D. 14x39	3
63	66.1251.36	Testata pompa D. 18-F	1
64	66.2205.70	Anello intermedio D. 18-F	1
65	99.3644.00	Vite M10x18 UNI 5931	4
66	96.7106.00	Rosetta D. 10.2x16.0x2.5	4
67	47.2000.74	Piede pompa	2

**SERIE 66**



\* Fissare con Locitte 542 col. ROSSO

\*\* Lubrificare con grasso al silicone OCILIS 250 cod. 12001600

**DIS. COD. 66.9522.00\_1**

**KIT RICAMBI - SPARE KITS**

<b>W1570</b>	
<b>KIT Nr.</b>	<b>KIT 2468</b>
<b>Posizioni include Positions included</b>	<b>2 - 3 - 4 - 5 6 - 7 - 8 (52)</b>
<b>Nr. Pcs.</b>	<b>3</b>

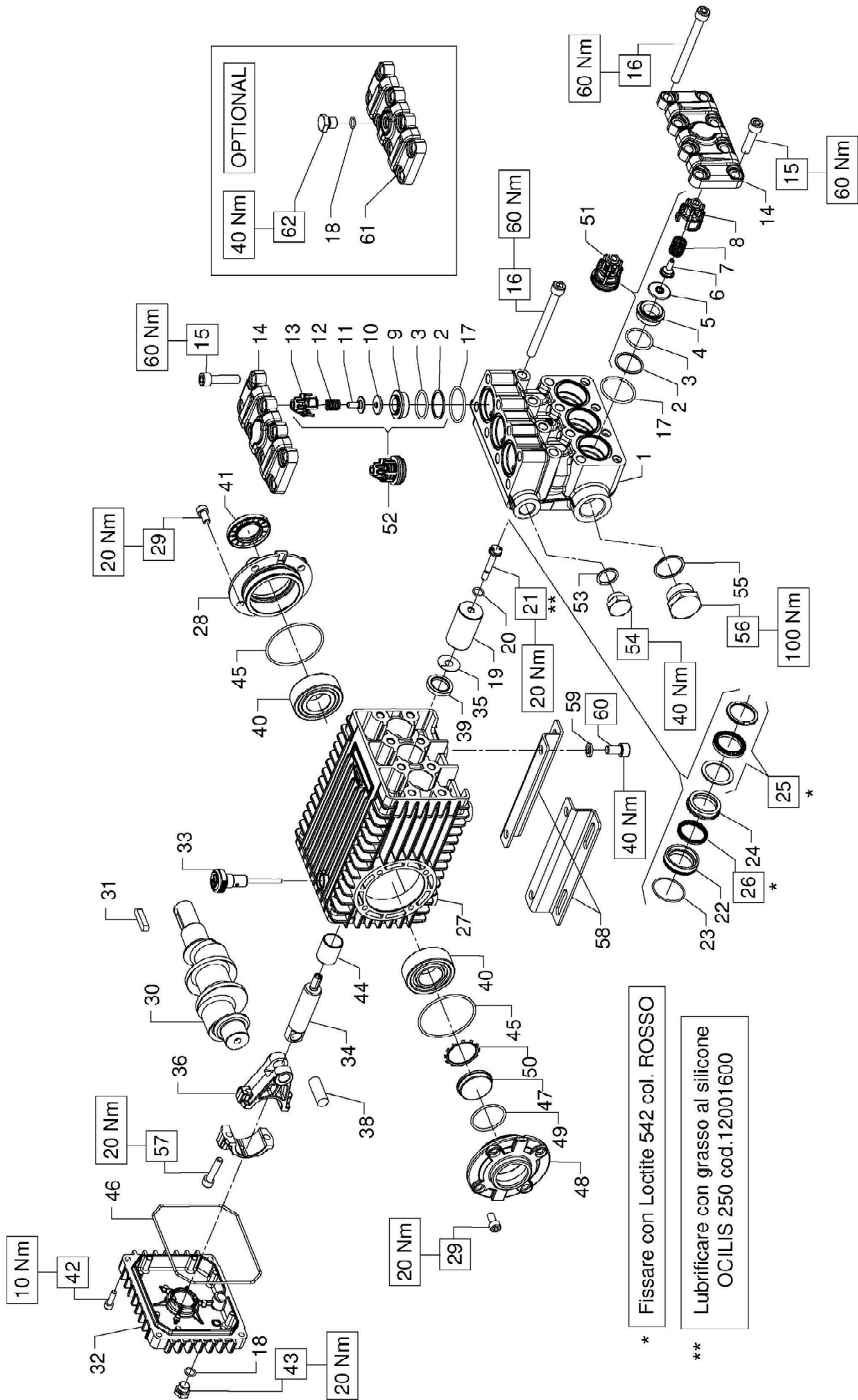
<b>KIT Nr.</b>	<b>KIT 2001</b>	<b>KIT 0002</b>	<b>KIT 0003</b>	<b>KIT 0419</b>	<b>KIT 0420</b>
<b>Posizioni include Positions included</b>	<b>2 - 3 - 9 - 10 11 - 12 - 13 (53)</b>	<b>40</b>	<b>42</b>	<b>26 - 27</b>	<b>23 - 24 - 25 26 - 27</b>
<b>Nr. Pcs.</b>	<b>3</b>	<b>3</b>	<b>1</b>	<b>3</b>	<b>1</b>

POS	COD.	DESCRIZIONE - DESCRIPTION - KIT	NR
1	66.1255.41	Testata pompa D. 31	1
2	90.5178.00	Anello antiest. D. 31.0x35.5x1.5 2001 2468	6
3	90.3865.00	OR D. 29.82x2.62 NBR 70SH 3118 2001 2468	6
4	36.2048.66	Sede valvola aspirazione	2468
5	36.2162.66	Valvola sferica aspirazione	2468
6	36.2161.51	Guida valvola interna aspirazione	2468
7	94.7447.00	Molla Dm. 15.9x24.3 INOX	2468
8	36.2160.05	Guida valvola aspirazione	2468
9	36.2038.66	Sede valvola mandata	2001
10	36.2099.56	Valvola sferica mandata	2001
11	36.2101.51	Guida valvola interna mandata	2001
12	94.7401.00	Molla Dm. 12.0x17.0 INOX	2001
13	36.2138.05	Guida valvola mandata	2001
14	66.2213.41	Coperchio valvole	2
15	99.3712.00	Vite M10x40 5931	12
16	99.3817.00	Vite M10x110 5931	8
17	90.3878.00	OR D. 39.34x2.62 NBR 90SH 3156	6
18	90.3585.00	OR D. 10.82x1.78 NBR 70SH 2043	4
19	98.2043.00	Tappo G 1/4"x13	3
20	66.0411.09	Pistone D. 31x54	3
21	90.3584.00	OR D. 10.82x1.78 NBR 90SH 2043	3
22	66.2195.66	Vite fissaggio pistone	3
23	66.0830.70	Anello di fondo D. 31	420
24	90.3620.00	OR D. 37.82x1.78 NBR 70SH 2150 420	3
25	66.2212.70	Anello intermedio D. 31	420

POS	COD.	DESCRIZIONE - DESCRIPTION - KIT	NR
26	90.2779.80	Anello ten. alt. D. 31.0x40.0x10.0 HP 419 420	3
27	90.2779.00	Anello ten. alt. D. 31.0x37.0x5.0 LP 419 420	3
28	66.0100.22	Carter pompa	1
29	47.1510.22	Coperchio laterale aperto	1
30	99.3039.00	Vite M8x16 5931 8.8 Zinc.	8
31	66.0204.35	Albero ecc. C. 21.0 (marc. R)	1
32	91.4892.00	Linguetta 8x7x35 UNI6604/A	1
33	66.1600.22	Coperchio posteriore	1
34	98.2106.00	Asta livello olio G 3/8"x64 D. 4	1
35	66.0500.66	Guida per pistone	3
36	96.7101.00	Rosetta D. 10.0x28.0x0.5	3
37	66.0300.01	Biella completa	3
39	97.7405.00	Spinotto D. 14x39	3
40	90.1625.00	Anello rad. D. 22.0x32.0x5.0	2
41	91.8380.00	Cuscinetto rulli	2
42	90.1648.00	Anello rad. D. 30.0x55.0x7.0	3
43	99.1884.00	Vite M6x20 5931 8.8 Zinc.	4
44	98.2042.50	Tappo G 1/4"x9 TE17 Zinc.	1
45	90.9126.00	Boccola D. 22x25x30	3
46	90.3913.00	OR D. 67.95x2.62 NBR 70SH 3268	2
47	90.3922.00	OR D.133.02x2.62 NBR 70SH 3525	1
48	70.2118.01	Spia livello olio	1
49	47.1512.22	Coperchio laterale spia	1
50	90.3877.00	OR D. 39.34x2.62 NBR 70SH 3156	1
51	90.0756.00	Anello arresto z145	1
52	36.7277.01	Gr. valvola aspirazione	2468

POS	COD.	DESCRIZIONE - DESCRIPTION - KIT	NR
53	36.7134.01	Gr. valvola mandata	2001
54	96.7514.00	Rosetta D. 21.5x27.0x1.5	1
55	98.2179.00	Tappo G 1/2"x10 Nickel	1
56	96.7870.00	Rosetta D. 33.5x38.0x1.5	1
57	98.2326.00	Tappo G 1"x17 Nickel	1
58	99.3099.00	Vite serraggio biella	6
59	47.2000.74	Piede pompa	2
60	96.7106.00	Rosetta D. 10.2x16.0x2.5	4
61	99.3644.00	Vite M10x18 UNI 5931	4

**SERIE 66**



\* Fissare con Loctite 542 col. ROSSO

\*\* Lubrificare con grasso al silicone OCILIS 250 cod.12001600

DIS. COD. 66.9523.00\_0

**KIT RICAMBI - SPARE KITS**

<b>WG1570</b>	
<b>KIT Nr.</b>	<b>KIT 2468</b>
<b>Posizioni include Positions included</b>	<b>2 - 3 - 4 - 5 6 - 7 - 8 (51)</b>
<b>Nr. Pcs.</b>	<b>3</b>

<b>KIT Nr.</b>	<b>KIT 2468</b>	<b>KIT 2001</b>	<b>KIT 0002</b>	<b>KIT 0003</b>	<b>KIT 0419</b>	<b>KIT 0420</b>
<b>Posizioni include Positions included</b>	<b>2 - 3 - 4 - 5 6 - 7 - 8 (51)</b>	<b>2 - 3 - 9 - 10 11 - 12 - 13 (52)</b>	<b>39</b>	<b>41</b>	<b>25 - 26</b>	<b>22 - 23 - 24 25 - 26</b>
<b>Nr. Pcs.</b>	<b>3</b>	<b>3</b>	<b>3</b>	<b>1</b>	<b>3</b>	<b>1</b>

POS	COD.	DESCRIZIONE - DESCRIPTION - KIT	NR
1	66.1256.15	Testata pompa D. 31	1
2	90.5178.00	Anello antiest. D. 31.0x35.5x1.5 2001 2468	6
3	90.3865.00	OR D. 29.82x2.62 NBR 70SH 3118 2001 2468	6
4	36.2048.66	Sede valvola aspirazione	2468
5	36.2162.66	Valvola sferica aspirazione	2468
6	36.2161.51	Guida valvola interna aspirazione	2468
7	94.7447.00	Molla Dm. 15.9x24.3 INOX	2468
8	36.2160.05	Guida valvola aspirazione	2468
9	36.2038.66	Sede valvola mandata	2001
10	36.2099.56	Valvola sferica mandata	2001
11	36.2101.51	Guida valvola interna mandata	2001
12	94.7401.00	Molla Dm. 12.0x17.0 INOX	2001
13	36.2138.05	Guida valvola mandata	2001
14	66.2214.15	Coperchio valvole	2
15	99.3712.00	Vite M10x40 5931	12
16	99.3817.00	Vite M10x110 5931	8
17	90.3878.00	OR D. 39.34x2.62 NBR 90SH 3156	6
18	90.3585.00	OR D. 10.82x1.78 NBR 70SH 2043	2
19	66.0411.09	Pistone D. 31x54	3
20	90.3584.00	OR D. 10.82x1.78 NBR 90SH 2043	3
21	66.2195.66	Vite fissaggio pistone	3
22	66.0830.70	Anello di fondo D. 31	420
23	90.3620.00	OR D. 37.82x1.78 NBR 70SH 2150 420	3
24	66.2212.70	Anello intermedio D. 31	420

POS	COD.	DESCRIZIONE - DESCRIPTION - KIT	NR
25	90.2779.80	Anello ten. alt. D. 31.0x40.0x10.0 HP 419 420	3
26	90.2779.00	Anello ten. alt. D. 31.0x37.0x5.0 LP 419 420	3
27	66.0100.22	Carter pompa	1
28	47.1510.22	Coperchio laterale aperto	1
29	99.3039.00	Vite M8x16 5931 8.8 Zinc.	8
30	66.0204.35	Albero ecc. C. 21.0 (marc. R)	1
31	91.4892.00	Linguetta 8x7x35 UNI6604/A	1
32	66.1600.22	Coperchio posteriore	1
33	98.2106.00	Asta livello olio G 3/8"x64 D. 4	1
34	66.0500.66	Guida per pistone	3
35	96.7101.00	Rosetta D. 10.0x28.0x0.5	3
36	66.0300.01	Biella completa	3
38	97.7405.00	Spinotto D. 14x39	3
39	90.1625.00	Anello rad. D. 22.0x32.0x5.0	2
40	91.8380.00	Cuscinetto rulli	2
41	90.1648.00	Anello rad. D. 30.0x55.0x7.0	3
42	99.1884.00	Vite M6x20 5931 8.8 Zinc.	4
43	98.2042.50	Tappo G 1/4"x9 TEI7 Zinc.	1
44	90.9126.00	Boccola D. 22x25x30	3
45	90.3913.00	OR D. 67.95x2.62 NBR 70SH 3268	2
46	90.3922.00	OR D.133.02x2.62 NBR 70SH 3525	1
47	70.2118.01	Spia livello olio	1
48	47.1512.22	Coperchio laterale spia	1
49	90.3877.00	OR D. 39.34x2.62 NBR 70SH 3156	1
50	90.0756.00	Anello arresto z45	1
51	36.7277.01	Gr. valvola aspirazione	2468

POS	COD.	DESCRIZIONE - DESCRIPTION - KIT	NR
52	36.7134.01	Gr. valvola mandata	2001
53	96.7514.00	Rosetta D. 21.5x27.0x1.5	1
54	98.2179.00	Tappo G 1/2"x10 Nickel	1
55	96.7870.00	Rosetta D. 33.5x38.0x1.5	1
56	98.2326.00	Tappo G 1"x17 Nickel	1
57	99.3099.00	Vite serraggio biella	6
58	47.2000.74	Piede pompa	2
59	96.7106.00	Rosetta D. 10.2x16.0x2.5	4
60	99.3644.00	Vite M10x18 UNI 5931	4
61	66.2215.15	Coperchio valvole mandata G 1/4"	1
62	98.2047.00	Tappo G 1/4"x13 Nickel	1